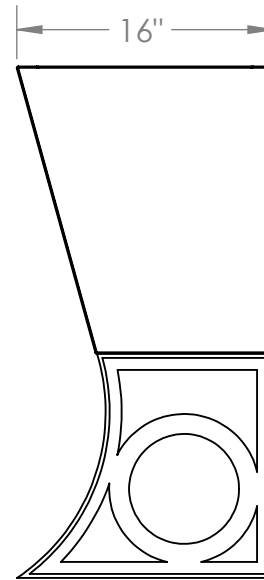
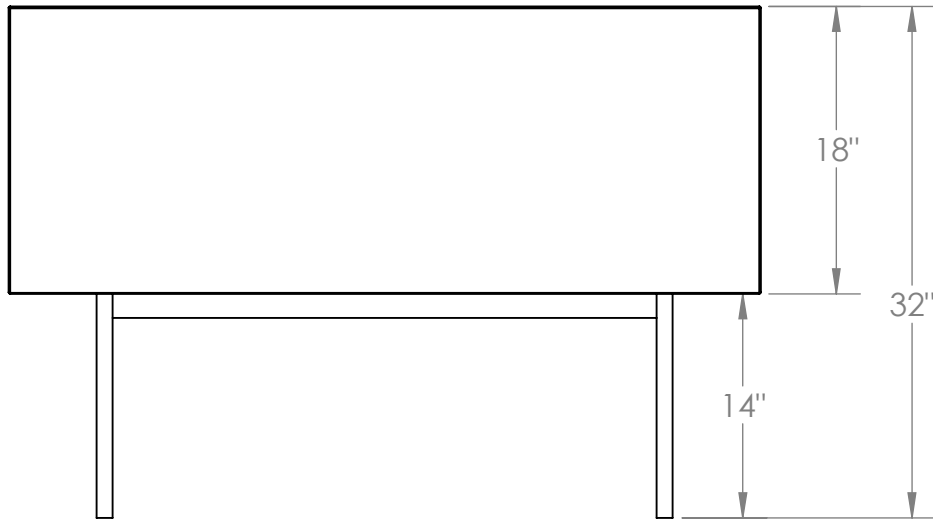
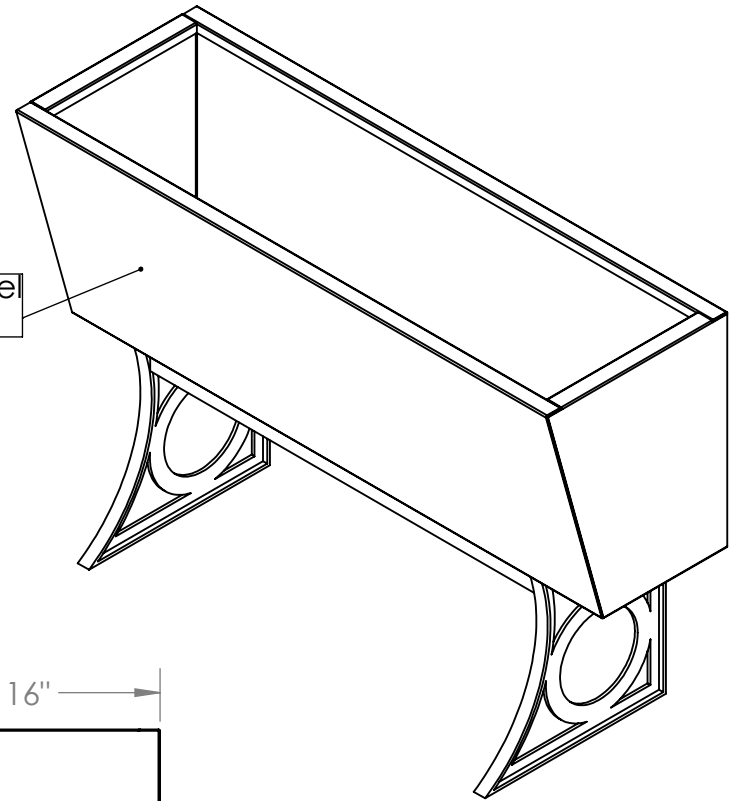


Stainless Steel Sink



PROPRIETARY AND CONFIDENTIAL
THE INFORMATION CONTAINED IN THIS
DRAWING IS THE SOLE PROPERTY OF
TEXAS LIGHTSMITH. ANY
REPRODUCTION IN PART OR AS A WHOLE
WITHOUT THE WRITTEN PERMISSION OF
TEXAS LIGHTSMITH IS PROHIBITED.

DIMENSIONS ARE IN INCHES DO NOT SCALE DRAWING	
MATERIAL	Stainless
FINISH	Brushed Stainless
Receiving	

DRAIN SIZE **3 1/2" dia**
QUANTITY **1**
COMMENTS:

TITLE:

Trough Sink

SIZE DWG. NO.

A

SCALE: 1:12

SHEET 1 OF 1