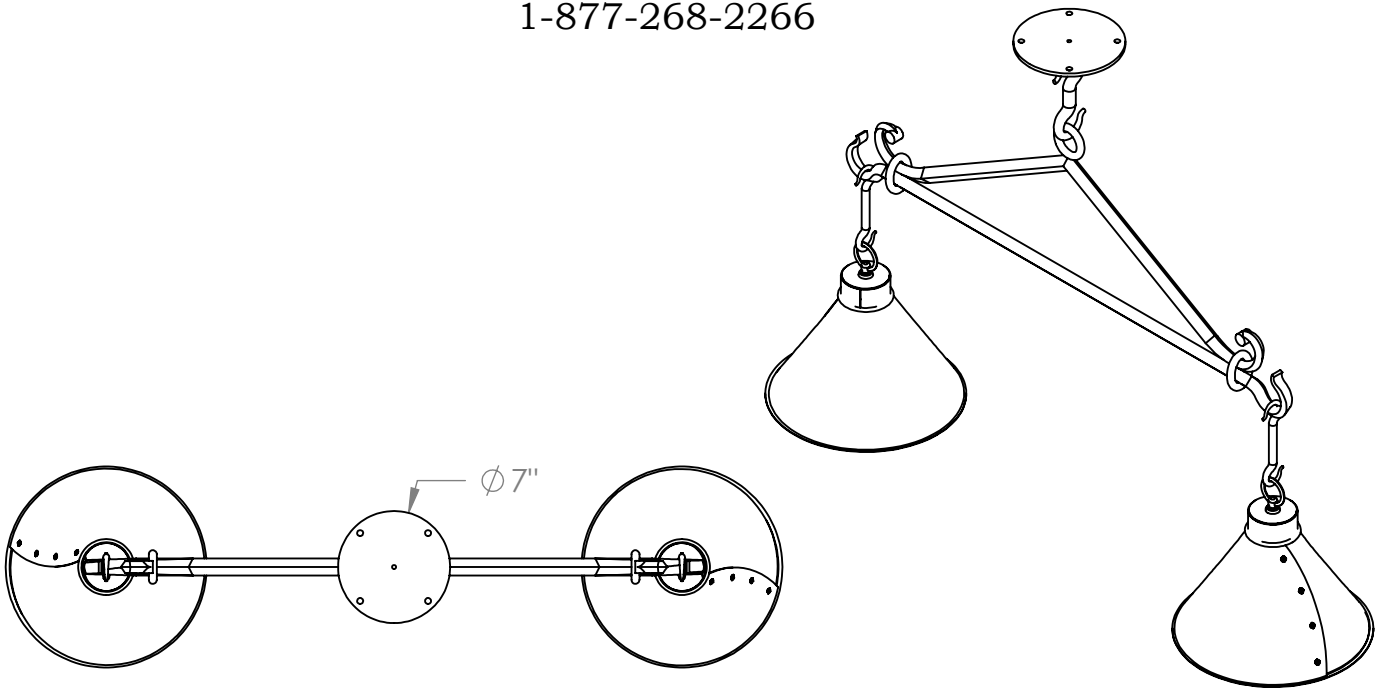


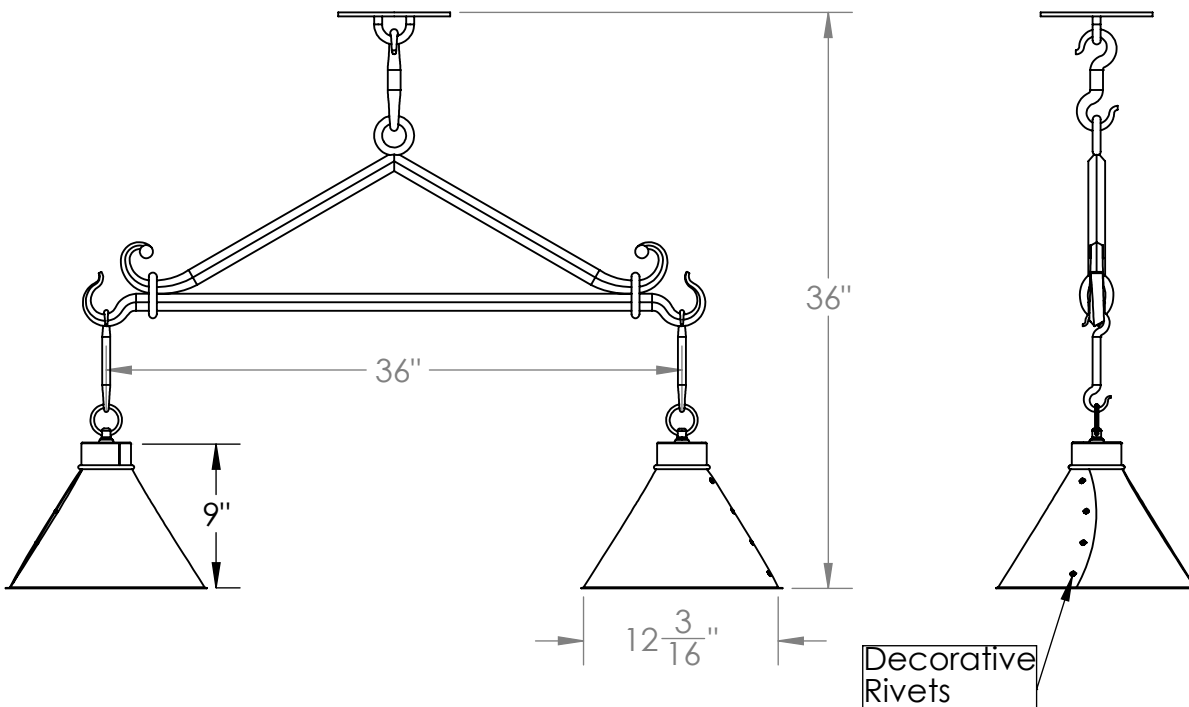
Texas Lightsmith® Lighting Catalog

www.TexasLightsmith.com

1-877-268-2266



Custom Height and Width are Available



PROPRIETARY AND CONFIDENTIAL
 THE INFORMATION CONTAINED IN THIS DRAWING IS THE SOLE PROPERTY OF Texas Lightsmith. ANY REPRODUCTION IN PART OR AS A WHOLE WITHOUT THE WRITTEN PERMISSION OF Texas Lightsmith is PROHIBITED.

WATTAGE
2X 100W A-19
 UL LISTING
Dry-Damp

MATERIAL
Iron
 DIMENSIONS ARE IN INCHES
 DO NOT SCALE DRAWING

FINISH
Black Iron

CATALOG NAME
Chandelier #25 Spec
 SCALE:1:16 WEIGHT: SHEET 1 OF 1